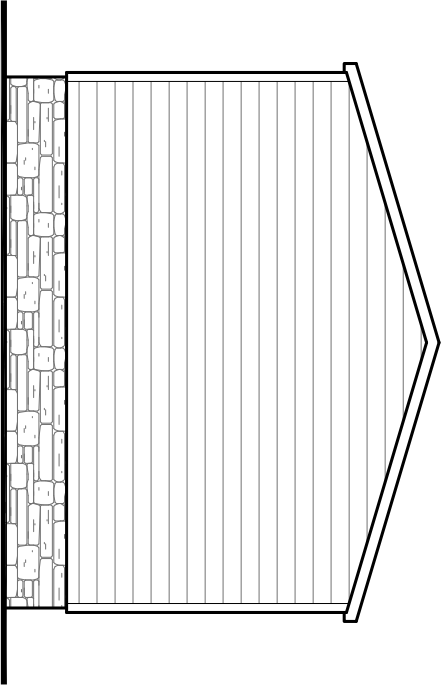
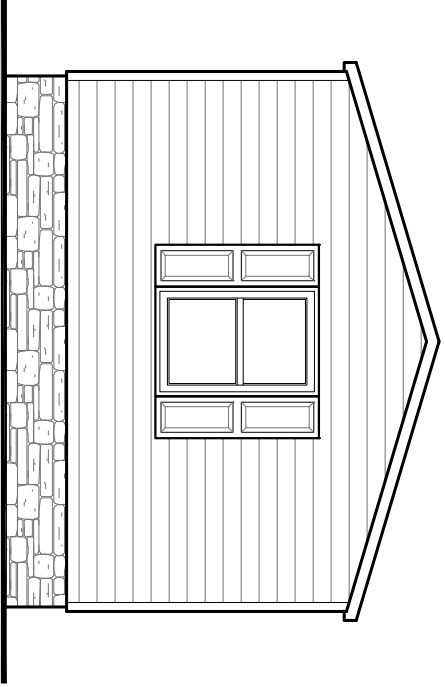


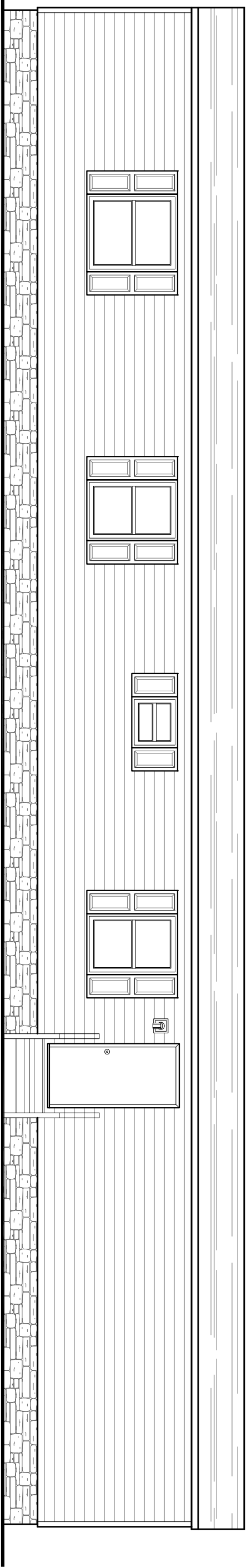
REAR ELEVATION



LEFT ELEVATION



RIGHT ELEVATION



FRONT ELEVATION



REVISION	DATE

MODEL NAME Sensation	
MODEL NO. TRS16763E	
BOX SIZE 16' x 76'	MODEL SQ. FT. 1,140

DRAWN BY
Jeremy Huiting

DATE DRAWN
9/29/2023

DATE PRINTED
3/25/2024

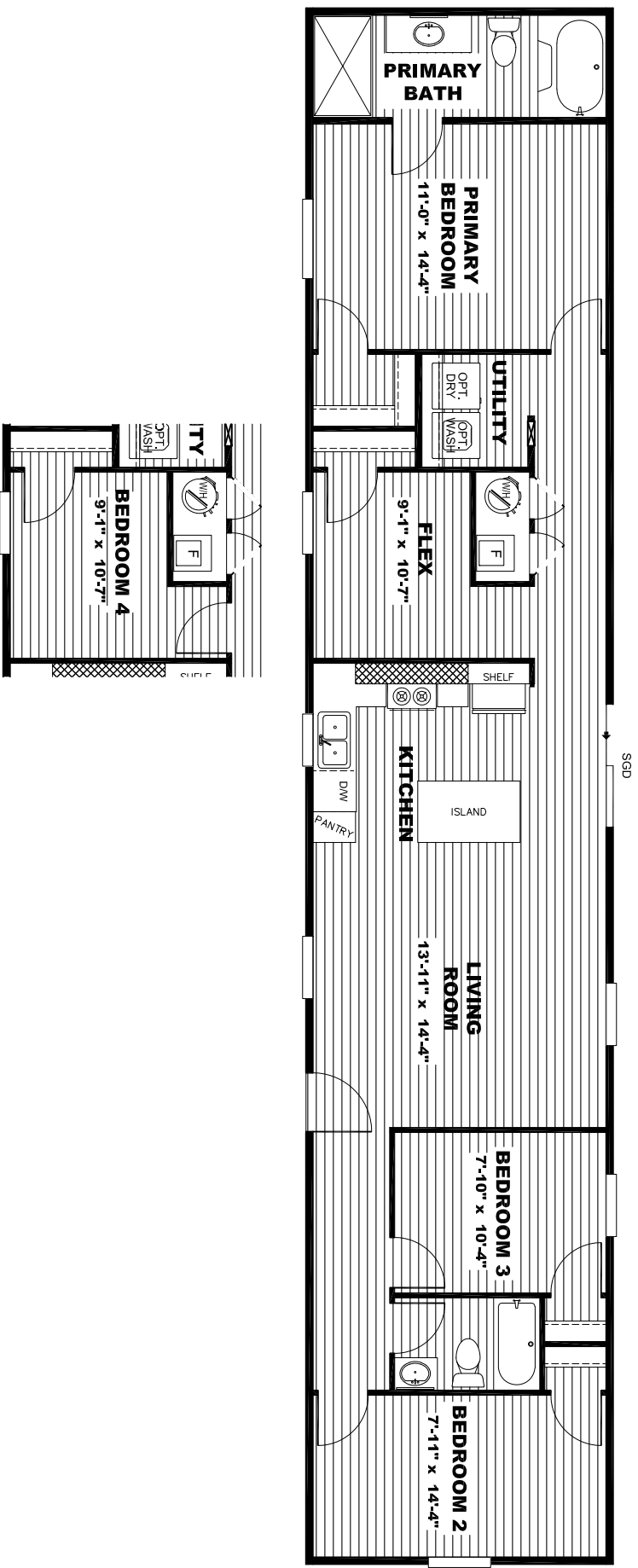
SCALE
3/16"=1'

PLANT NO.
TRU-1676-32-1

SHEET NAME
EXTERIOR ELEVATION

SHEET NO.
EX-1.

"Sensation"



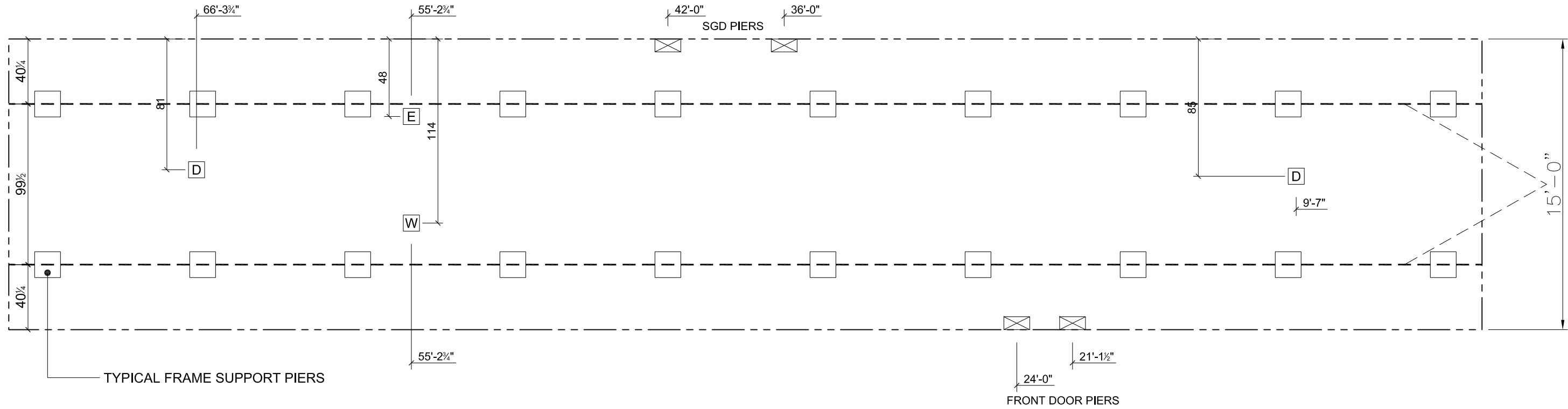
MODEL #TRS16763E

SQ.FT. 1,140

DRAWING # TRU-1676-32-1

20 lb ROOF LOAD SIDEWALL OPENING PIER LOAD 14' BOX WIDTH	SIDEWALL OPENING (FT) REQUIRED PIER LOAD (LBS)					
	3	4	5	6	8	10
	1175	1330	1485	1640	1950	2260

*FOR 30 lb & 40 lb ROOF LOAD REFER TO TABLES 7 & 7a IN THE INSTALLATION MANUAL.



SERVICE DROP LEGEND	
E	= ELECTRICAL DROP
W	= WATER INLET
D	= DWV PLUMBING DROP
G	= GAS INLET

PIER LEGEND	
	= PIER MAIN BEAM
	= PIER PERIMETER
	= PIER PORCH/RECESSED ENTRY

GENERAL NOTES:
1. SERVICE DROP LOCATIONS IDENTIFIED ARE APPROXIMATE.

- NOTES:
- REFER TO TABLES 6 AND 6a IN THE INSTALLATION MANUAL FOR LOAD ON FRAME PIER FOOTINGS FOR HOMES THAT DO NOT REQUIRE PERIMETER BLOCKING. REFER TO TABLES 7 AND 7a IN THE INSTALLATION MANUAL FOR LOAD ON FRAME PIER FOOTINGS FOR HOMES THAT REQUIRE PERIMETER BLOCKING. REFER TO TABLES 10 AND 10a TO DETERMINE FOOTING SIZE FOR ALL PIERS.
 - REFER TO TABLE 9 FOR PIER CONFIGURATION AND MAXIMUM ALLOWABLE HEIGHTS. CROSS REFERENCE THE PIER HEIGHT WITH THE MAXIMUM ALLOWABLE FLOOR HEIGHT LISTED IN THE FRAME TIEDOWN CHARTS (TABLE 18, 19, AND 20).
 - THE MAXIMUM SPACING FOR FRAME SUPPORT PIERS FOR 8" I-BEAMS IS 8 FEET, 10" & 12" I-BEAMS IS 10 FEET.
 - SERVICE DROP LOCATIONS IDENTIFIED ARE APPROXIMATE.
 - FLOOR WIDTH SHOWN IS FOR STANDARD PRODUCT ONLY. CONTACT THE MFG FACILITY FOR SPECIFICATIONS OF OPTIONS ORDERED.



REVISION	DATE

MODEL NAME Sensation	MODEL NO. TRS16763E	MODEL SQ. FT. 1,140
BOX SIZE 16' x 76'		

DRAWN BY
Jeremy Huiting

DATE DRAWN
9/29/2023

DATE PRINTED
2/21/2024

SCALE
3/16"=1'

PLAN NO.
TRU-1676-32-1

SHEET NAME
PIER PLAN

SHEET NO.
SU-1.