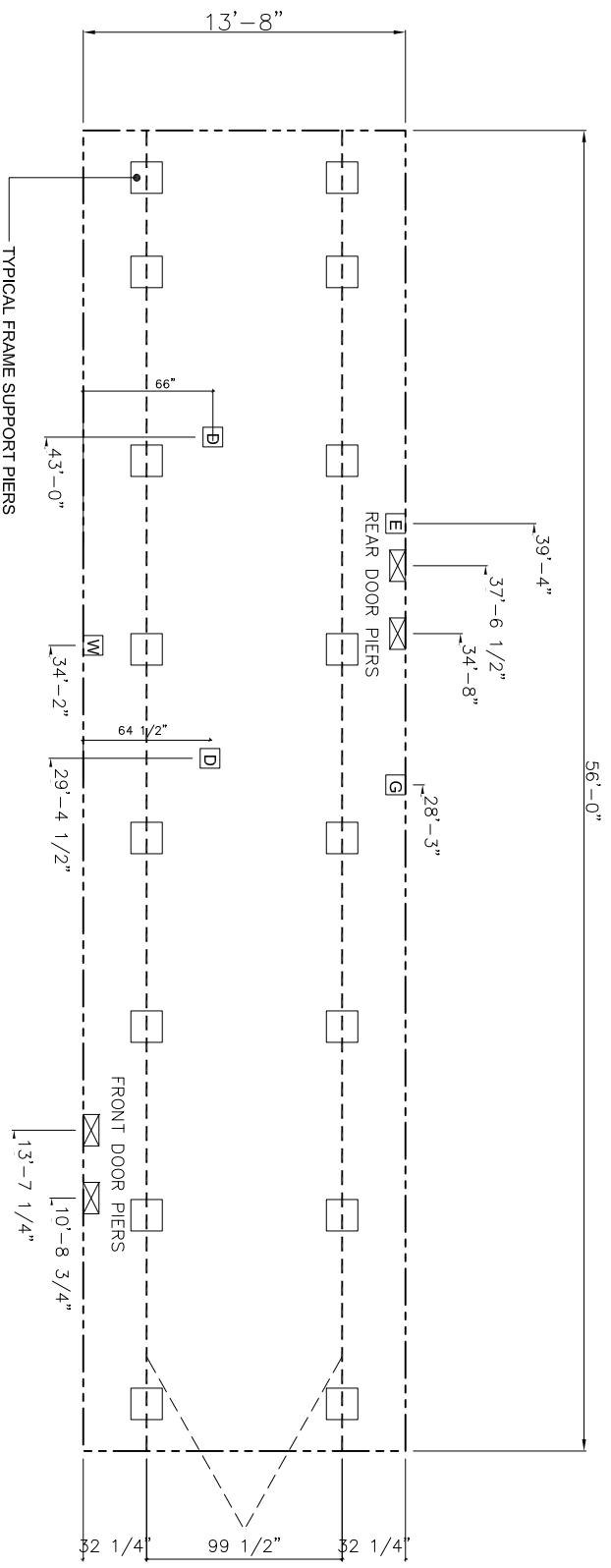


SIDEWALL OPENING PIER LOAD 14' BOX WIDTH	20 lb ROOF LOAD					40 lb ROOF LOAD						
	3	4	5	6	8	10	3	4	5	6	8	10
REQUIRED PIER LOAD (LBS)	1175	1330	1485	1640	1950	2260	1175	1330	1485	1640	1950	2260

\*FOR 30 lb & 40 lb ROOF LOAD REFER TO TABLES 7 & 7a IN THE INSTALLATION MANUAL.



- NOTES:
- REFER TO TABLES 6 AND 6a IN THE INSTALLATION MANUAL FOR LOAD ON FRAME PIER FOOTINGS FOR HOMES THAT DO NOT REQUIRE PERIMETER BLOCKING. REFER TO TABLES 7 AND 7a IN THE INSTALLATION MANUAL FOR LOAD ON FRAME PIER FOOTINGS FOR HOMES THAT REQUIRE PERIMETER BLOCKING. REFER TO TABLES 10 AND 10a TO DETERMINE FOOTING SIZE FOR ALL PIERS.
  - REFER TO TABLE 9 FOR PIER CONFIGURATION AND MAXIMUM ALLOWABLE HEIGHTS. CROSS REFERENCE THE PIER HEIGHT WITH THE MAXIMUM ALLOWABLE FLOOR HEIGHT LISTED IN THE FRAME TIEDOWN CHARTS (TABLE 18, 19, AND 20).
  - THE MAXIMUM SPACING FOR FRAME SUPPORT PIERS FOR 8" I-BEAMS IS 8 FEET, 10" & 12" I-BEAMS IS 10 FEET, APPROXIMATE.
  - SERVICE DROP LOCATIONS IDENTIFIED ARE FLOOR WIDTH SHOWN IS FOR STANDARD PRODUCT ONLY. CONTACT THE MFG FACILITY FOR SPECIFICATIONS OF OPTIONS ORDERED.

SERVICE DROP LEGEND		PIER LEGEND	
	= ELECTRICAL DROP		= PIER MAIN BEAM
	= WATER INLET		= PIER PERIMETER
	= DWV PLUMBING DROP		= PIER PORCH/RECESS ENTRY
	= GAS INLET		

765 SQ.FT. (STD PLAN "CONDITIONED")  
 N/A SQ.FT. (W/OPT. PORCH/RECESS "CONDITIONED")

TRU  
 Product Designer: Hulingui

Model #: TRS14562A  
 Date: 1/24/12  
 Scale: N.T.S.

Drawing #:  
 TRU-S001-56-2

PIER LOADS  
 REV: